

## ARD 75 EL Immersion Fitting

Modular Fitting with an Extraordinary Range of Functions.



The fitting is used for measuring in tanks, basins and channels. For maximum flexibility, it offers numerous functions that can be combined. The special design facilitates sensor replacement. It is suitable for up to 3 sensors (PG 13.5) or almost every available sensor. High-quality PP-EL makes it very sturdy and guarantees the electrical conductivity. Conductivity is increased by a special soot, which also provides UV protection.

### Applications

Operation in hazardous areas

### Facts and Features

- High variability — adaptable to virtually every process
- Safe functioning, easy maintenance thanks to a special and unique design
- Easy removal/installation of the sensor adapter with just ½ turn of a coupling nut (manual)
- Removal of the sensor adapter from the bottom of the immersion pipe
- No cable twisting during sensor installation
- Sensor adapters:  
3 x PG 13.5 / PG 13.5 with pressurization / SE 670 G1 / SE 655, SE 656 (G¾) / ¾" NPT / 1" NPT / SE 680 / G1 for SE 604-MS, SE 605-MS, SE 630
- Rinse function for cleaning the sensors without opening or dismantling the fitting (PG 13.5, internal supply of rinse medium incl. check valve)
- Immersion depths: 25– 250 cm
- Material: PP EL
- High pressure and temperature resistance
- Process connections:  
flange DN 80 – DN 100 or ANSI 3" - 4", optionally with sliding flange bushing  
wall holder  
catenary suspension (also as submersible version)  
pipe clamp
- Cable glands: EPDM cap with cable support sleeves and strain relief, submersible cable glands
- Stainless steel bracket for strain relief of the sensor cable

Catenary suspension  
Ambient side with cable gland

Plastic tube with special sleeve geometry  
25 ... 250 cm long



Sensor adapter

# ARD 75 EL Immersion Fitting

## Specifications

Sensors	3 x Ø12 mm, length 120 mm, thread PG 13.5 / SE670 G1 / SE 655, SE 656 / thread ¾" NPT/ 1" NPT / SE 680 / G1 for SE 604-MS, SE 605-MS, SE 630	
Diameter	75 mm	
Pressure/temperature	Pressureless, max. 0.5 bar hydrostatic pressure (0 ... 80 °C)	
Process connections	Loose flange EN 1092-1	DN80 / DN100
	Loose flange ANSI B 16.5/150 lbs	3" / 4"
	Wall holder	Stainless steel 1.4571
	Catenary suspension	Also as submersible version
	Pipe clamp	Adjustable stop, stainless steel 1.4571
Wetted materials	Fitting	PP EL
	Sealing material	EPDM / FKM / FFKM / FFKM Perlast G75B
	Rinsing	PEEK, Hastelloy
	Catenary suspension	Rope: polyamide
Sensor protection in the process	Probe guard integrated in the sensor adapter for sensors with 12 mm dia., 120 mm length, PG 13.5 thread	
Immersion depth	250, 500, 1000, 1500, 2000, 2500 mm [special lengths (in cm) available on request]	
Rinsing	Hose	NW 6
	Material	EPDM
	Check valve in the sensor adapter	
Transport and storage temperature	-10 ... 70 °C	
Ambient temperature	-5 ... 55 °C	
Protection according to EN 60529	Ambient side open	IP00
	Ambient side with rubber cap	IP65
	Ambient side cable gland	IP68 (immersion depth: 10 m permanently) and IP66

## Removing the Sensor Adapter for Replacing the Sensor



**Modular System**

This immersion fitting comes in 6 different nominal lengths (special lengths on request).  
The modular system is completed by various cable glands, process connections and sensor adapters.



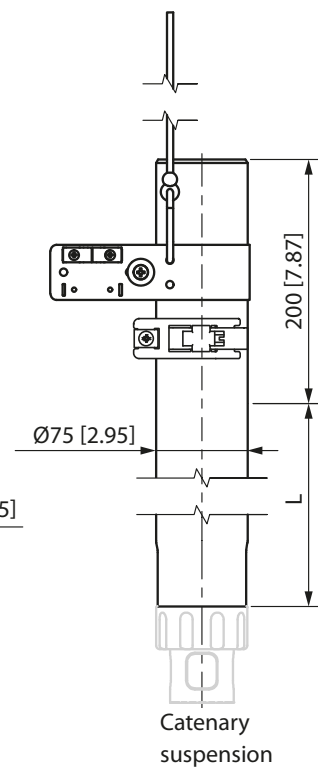
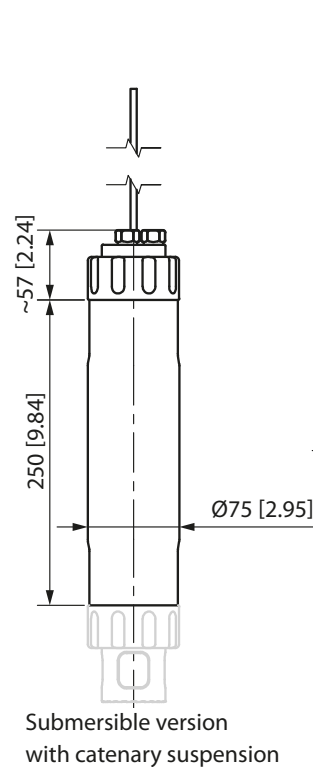
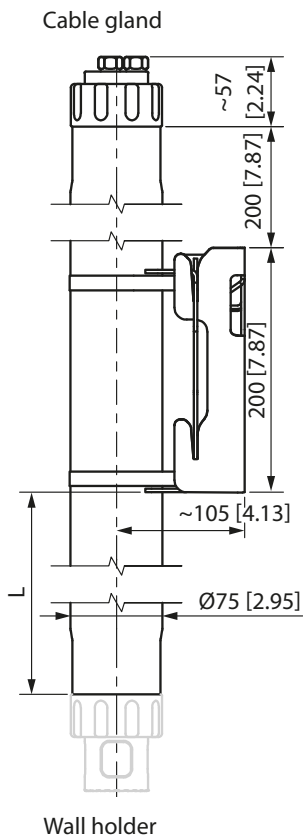
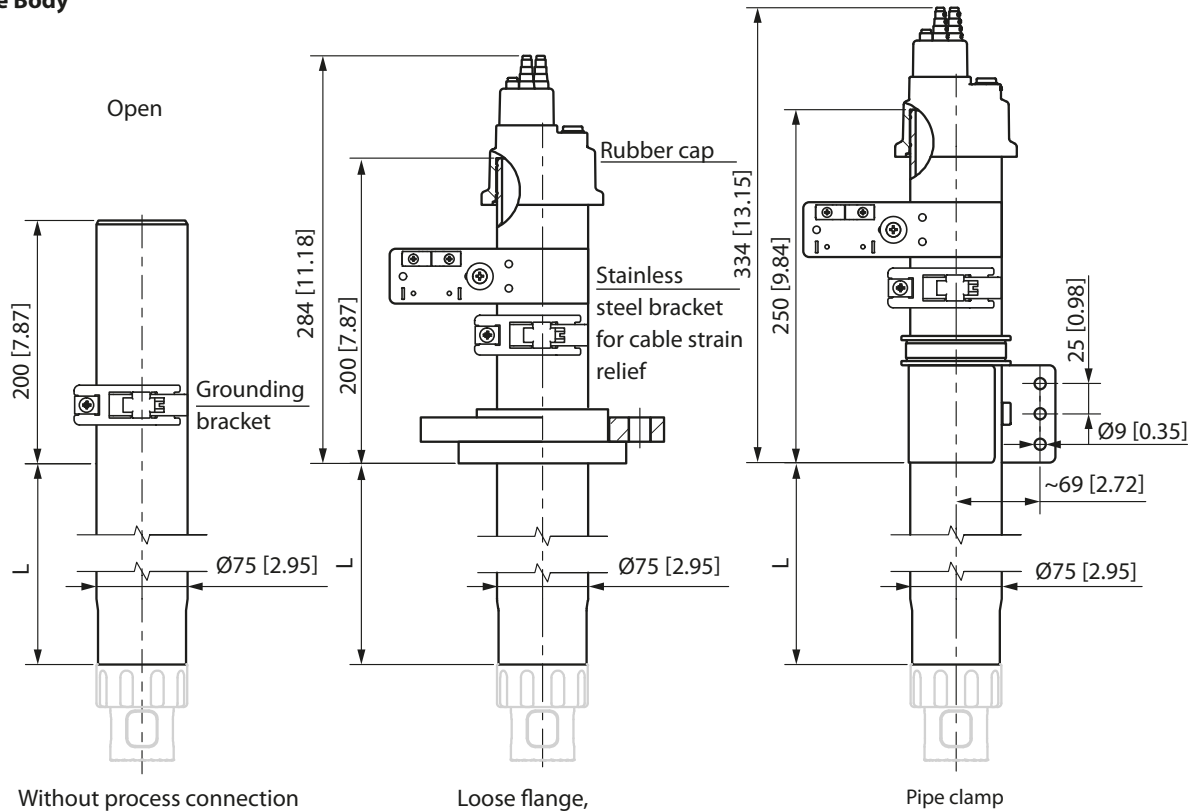
# ARD 75 EL Immersion Fitting

## Product Range

Material	PP, conductive	ARD 75 EL-	N	P											
Sensor Adapters	3 x PG 13.5		1												
	3 x PG 13.5; with rinse function		2				A/B/C/D								
	pH sensor, Ø 12 mm, pressurized; 120 mm long; pressure chamber for compressed air supply		3												
	SE 670/G1		4												
	SE 655 (X) / SE 656 (X)		5												
	¾" NPT		6												
	1" NPT		7												
	SE 680		8												
	G1 for SE 604-MS / SE 605-MS		9												
	G1 for SE 630-MS		J												
Gasket material	FKM					A									
	EPDM					B									
	FFKM					K									
Process connection	Without process connection						0 0 0								
	Flange, loose, PN10/16, DN 80						0 B 3								
	Flange, loose, PN10/16, DN 100						0 B 4								
	Flange, loose, ANSI, 150 lbs, 3"						0 D 3								
	Flange, loose, ANSI, 150 lbs, 4"						0 D 5								
	Wall holder with locking function, stainless steel 1.4571						W 0 0								
	Catenary suspension						S 0 0	B/D/E/F							
Catenary suspension, submersible version with weight						S T 0	E	0	2	5					
Pipe clamp with adjustable stop						R 0 0									
Ambient side	Open						A								
	Open, stainless steel bracket for cable strain relief						B								
	Rubber cap with EPDM cable support sleeves						C								
	Rubber cap with EPDM cable support sleeves, stainless steel bracket for cable strain relief						D								
	Submersible cable gland						E								
	Submersible cable gland, stainless steel bracket for cable strain relief						F								
Nominal body length [cm]	25							0	2	5					
	50							0	5	0					
	100							1	0	0					
	150							1	5	0					
	200							2	0	0					
	250							2	5	0					
	Special length (min. 25 cm)							*	*	*					
Special version	None												0	0	0
	Customer-specific special data sheet												F		

Dimension Drawings

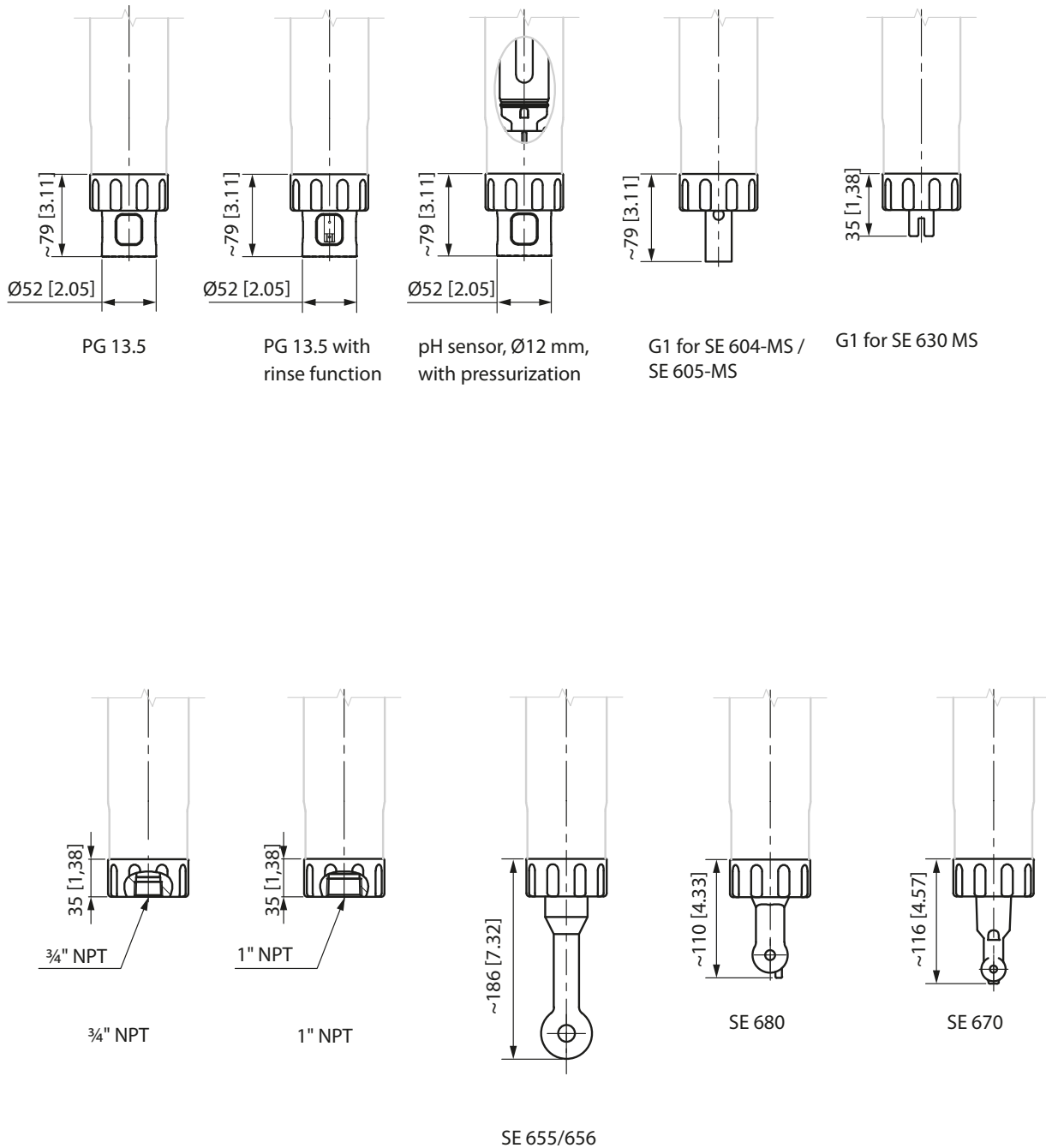
Base Body



# ARD 75 EL Immersion Fitting

## Dimension Drawings

### Sensor Adapters



alle Maße in mm [Zoll]